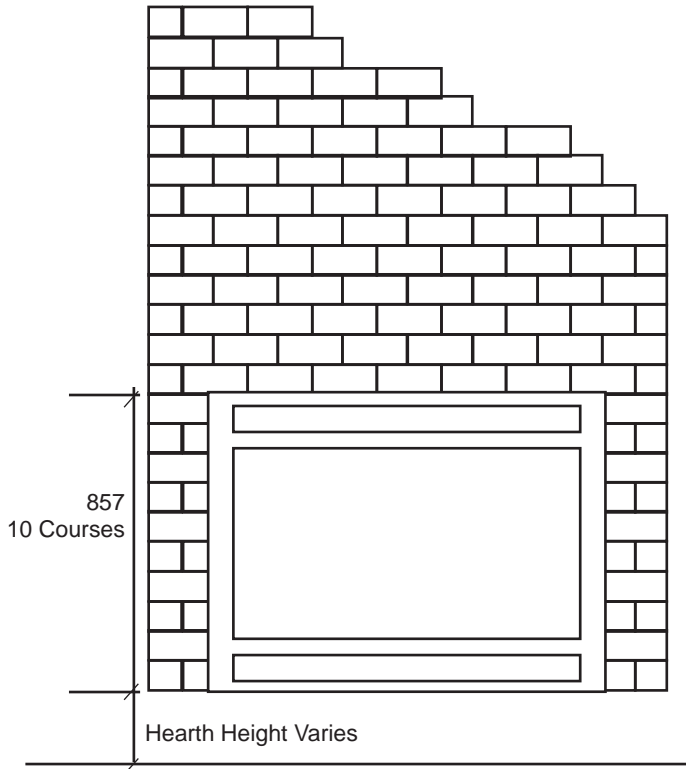


# HEATMASTER Z1200

Brick set-up and Dimensions

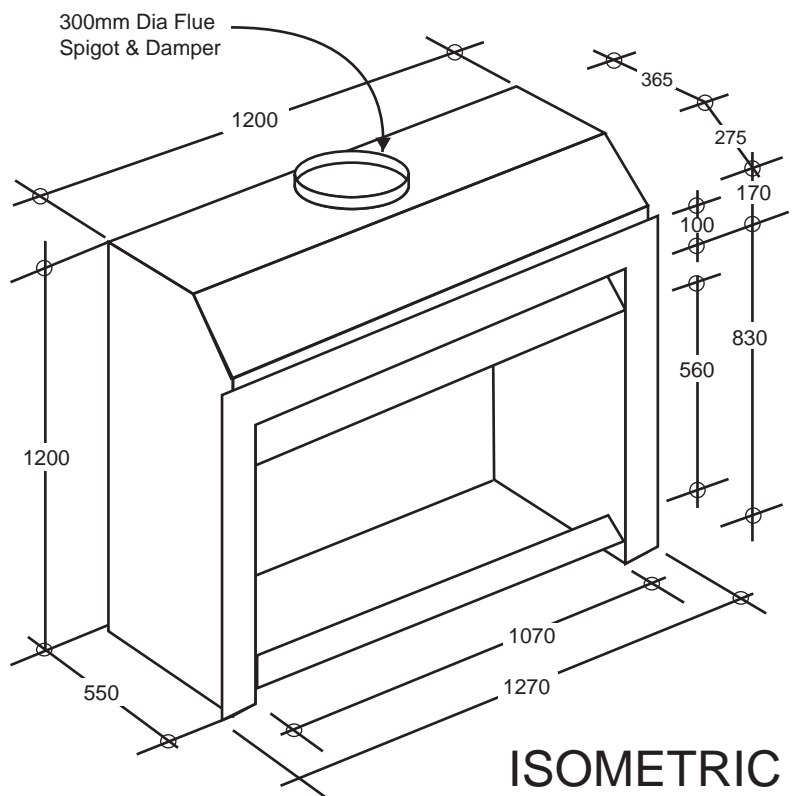


**ELEVATION**



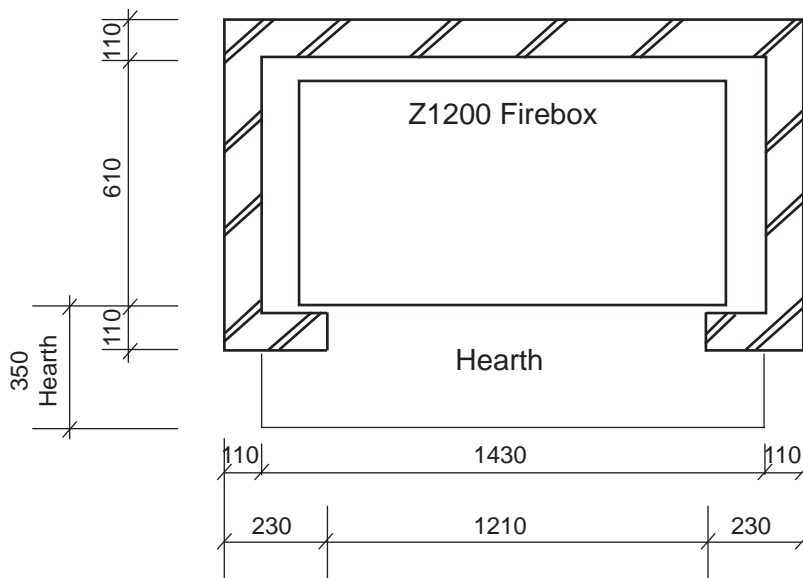
**TRIPLE SKIN FLUE KIT**  
(FOR USE WHEN FLUE SYSTEM IS INSTALLED IN COMBUSTIBLE AREA)

Inner (Active) Flue - 300mm dia  
Middle Flue 350mm dia  
Outer Flue 400mm dia



**ISOMETRIC**

**PLAN**



Measurements shown above to be used for reference only, some variations may apply and are subject to change at any time.