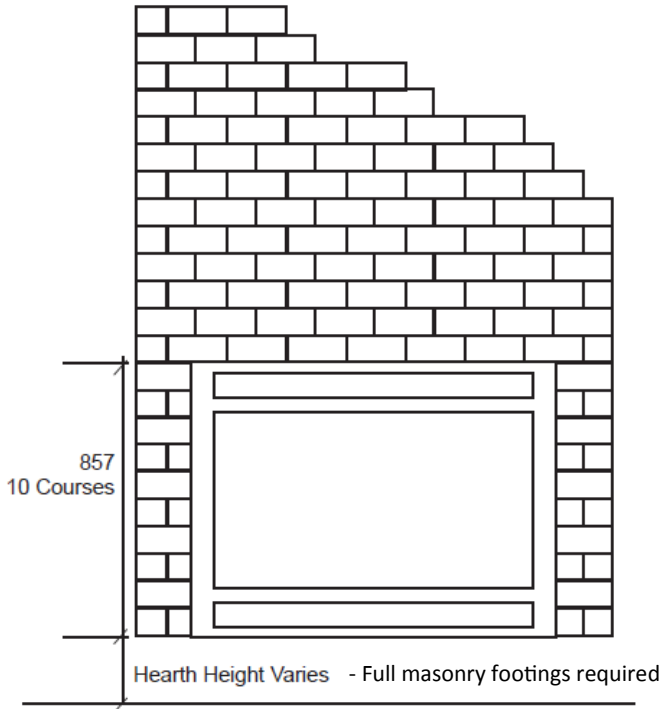
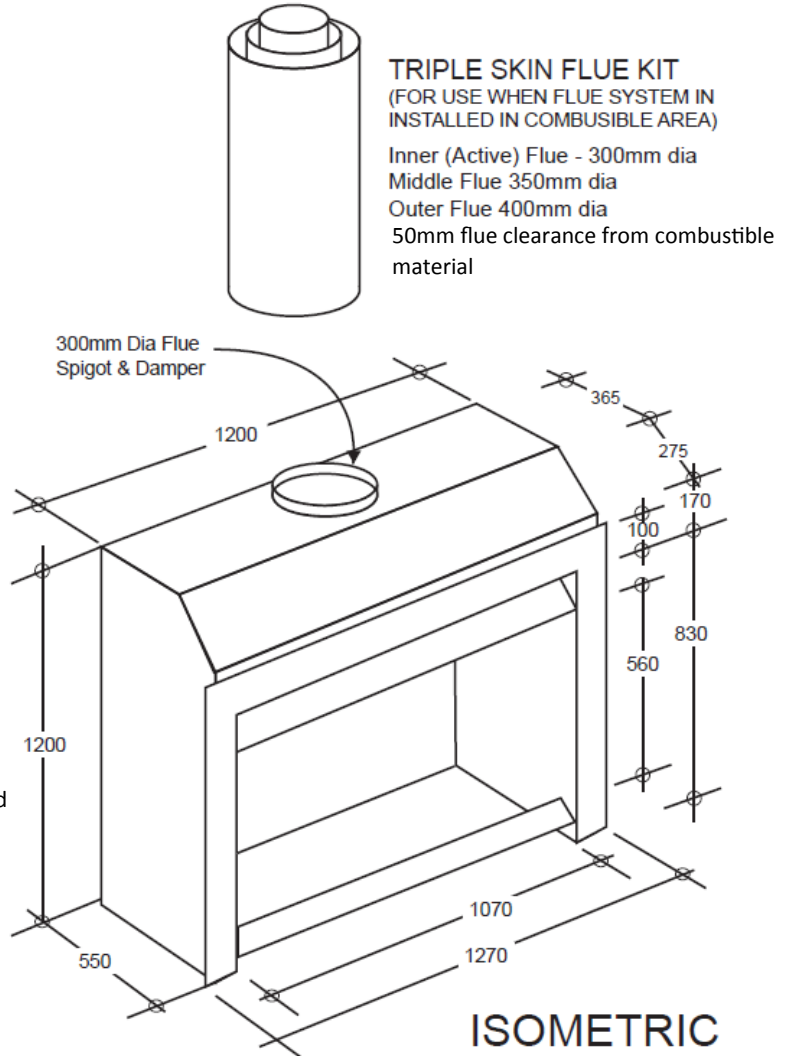


# HEATMASTER Z1200

Brick set-up and Dimensions



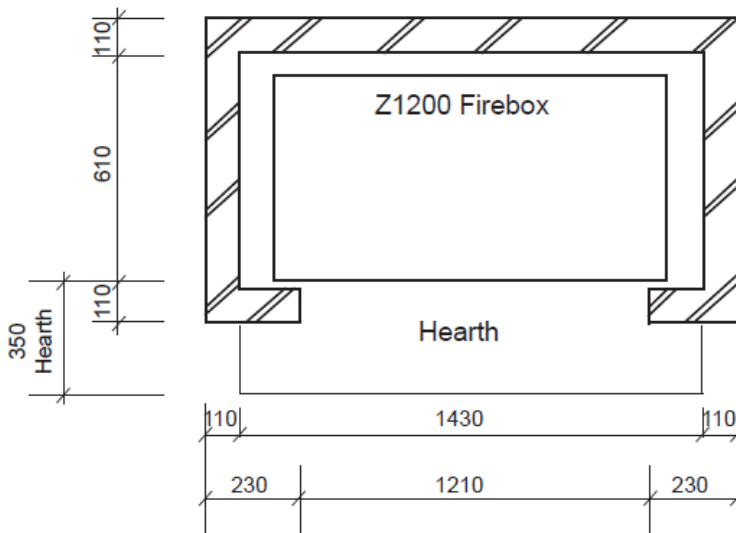
**ELEVATION**



**TRIPLE SKIN FLUE KIT**  
(FOR USE WHEN FLUE SYSTEM IN INSTALLED IN COMBUSIBLE AREA)

Inner (Active) Flue - 300mm dia  
Middle Flue 350mm dia  
Outer Flue 400mm dia  
50mm flue clearance from combustible material

**PLAN**



**ISOMETRIC**



Measurements shown above to be used for reference only, some variations may apply and are subject to change at any time.

Installation to be in accordance with Australian Standards AS/NZ 2918:2001

Heatmaster Pty Ltd

Email: [sales@heatmaster.com.au](mailto:sales@heatmaster.com.au)

Website: [www.heatmaster.com.au](http://www.heatmaster.com.au)

ACN 006 442 717 ABN 64 641 709 587